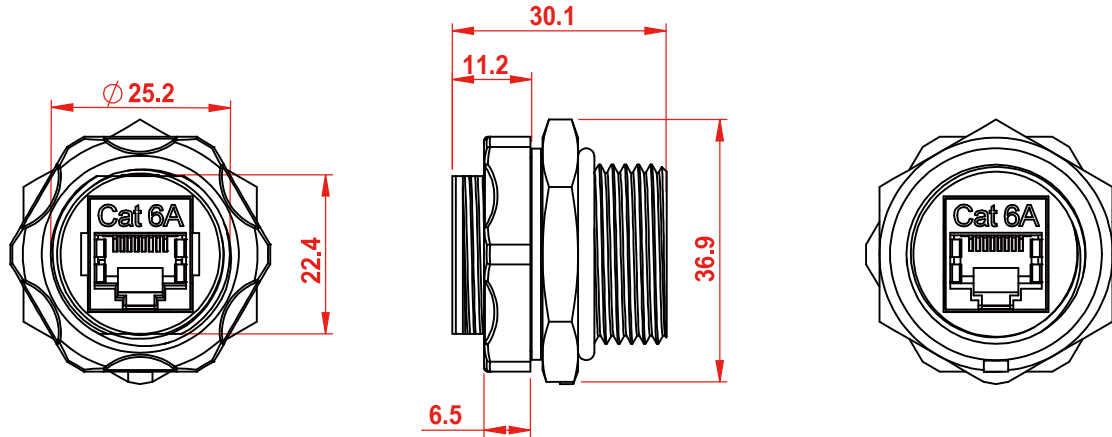


NOTE: ALL MATERIAL COMPLIANT ROHS STANDARD

REVISION INFORMATION			
Rev.	Rev. Date	Modified By	Brief Description
V0	03/21/2022	Justin	Initial issue



IP68
 ACCORDING TO IEC 60529
 Degrees of Protection Provided by Enclosures
 6: Dust-tight
 8: Protected from immersion in water for 60 minutes at a depth of 1.5 meter.

MATERIAL

MAIN BODY : PBT+GF,UL94V-0.
 SHIELDED CASE : BRASS,NICKEL PLATED.
 COUPLER HOUSING : ABS,UL94V-0.
 JACK CONTACTS : PHOSPHOR BRONZE,50U" GOLD PLATED.

PHYSICAL CHARACTERISTICS

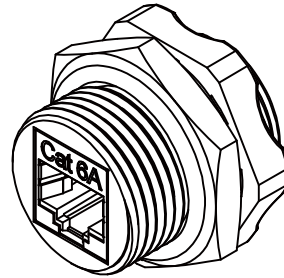
INSERTION LIFE : 750 MATING CYCLES WITH FCC COMPLIANT 8P PLUG.
 PLUG RETENTION FORCE : 11 LBF MIN.
 OPERATING TEMPERATURE RANGE : -10°C TO 60°C.
 STORAGE TEMPERATURE RANGE : -40°C TO 68°C.
 HUMIDITY : 10% TO 90% RH (NON-CONDENSING).

ELECTRICAL

INSULATION RESISTANCE : 500 MΩ MINIMUM.
 DC CURRENT RATING : 1.5 Amps.
 INPUT TO OUTPUT D.C. RESISTANCE : 200 mΩ MAXIMUM.
 CONTACT RESISTANCE : 20 mΩ MAXIMUM.
 VOLTAGE PROOF (CONTACT TO CONTACT) : 1000 V D.C. OR A.C. PEAK.

NOTE

ONLY ACCEPT RJ45 8P8C PLUG.



Cat 6A
 56Y4
 E145249



ACCORDING TO : ANSI/TIA-568.2-D
 ISO/IEC 11801-1
 IEC 60603-7
 IEEE 802.3bt Power over Ethernet Plus Plus(4PPoE) application
 IEC 60512-99-002 Mating and un-mating connectors under electrical load

LANshack
 Sales@LANshack.com | 888-568-1230

NO.	PART NAME	SPECIFICATION DESCRIPTION	QTY	UNIT
③				
②				
①				

Unless specified on the drawing, tolerances are per the follows:
 . +1
 .x +0.2
 .xx +0.05

DRAWN BY Justin	DATE: 03/21/2022	DESCRIPTION: Cat.6A RJ45 Shielded Industrial Panelmount Bulkhead Coupler
CHECKED BY	SHEET 1 of 4	ITEM NO. C6A-CGOD-COUP
APPROVED BY	SCALE 1 : 1	REV. 00 UNIT:mm